

IMTRAN

PAD PRINTING PADS

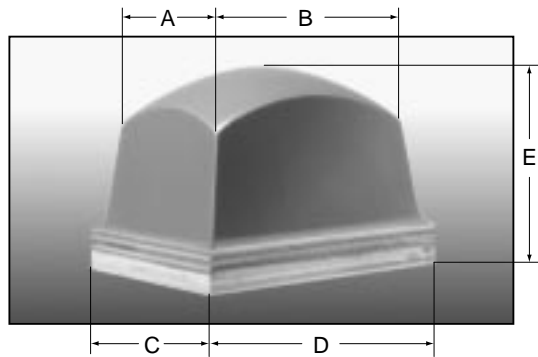


In most cases printing pad selection can be done from Imtran's standard pad list. However, as in the nature of pad transfer printing on unusual shapes, there may be a need for special printing pads for special applications. Imtran has complete facilities for custom pad development and manufacturing.

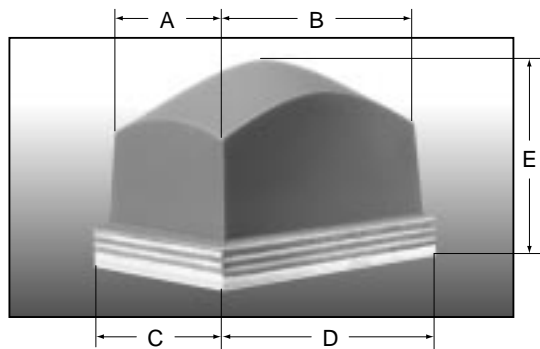
How to locate pads in this section. Begin by locating the "shape" of pad you have in mind for your pad printing application using the pad photographs on each page. Next, locate the correct dimensional information from the table and then specify the corresponding part number. If you are unable to locate the correct pad or if you need a custom designed pad please contact Imtran Customer Service at 1-978-372-3443 and a representative will assist you.

Help in choosing a pad. Should you require assistance in selecting a pad, Imtran Customer Service will require the following information:

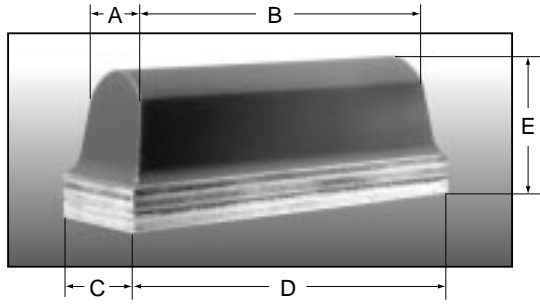
- Machine Manufacturer and Model
- Plate (cliché) size
- Distance between pad bar and plate
- Description and/or sample of the product and artwork



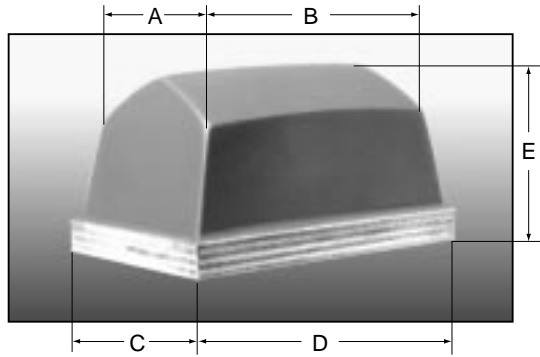
Part No.	A	B	C	D	E
SP-623	1.135	1.941	1.233	2.175	2.435
SP-048	5.425	5.500	6.325	6.325	4.475
SP-433	1.400	3.800	1.885	4.430	2.675
SP-345	1.785	5.485	3.325	5.900	3.075
IRRS-8FL	1.650	3.625	1.980	4.035	2.575
SP-221	0.890	2.325	1.275	2.750	2.090
IRRS-10FL	1.860	4.990	2.380	5.700	3.255
IRRS-010	1.040	1.980	1.525	2.500	2.030
IRRS-020	1.650	2.750	2.025	3.290	2.225
SP-412	2.775	4.475	3.500	5.000	3.190
SP-184	2.585	3.900	3.150	4.450	5.890
SP-563	4.025	6.800	4.575	7.585	4.050
SP-361	1.020	1.320	1.465	1.855	2.020
SP-411	2.235	4.855	2.802	5.415	3.210
IRRS-030	2.020	3.140	2.630	3.580	2.830
IRRS-041	2.330	4.570	2.770	4.990	3.150
SP-133	2.050	3.000	2.550	3.400	2.730



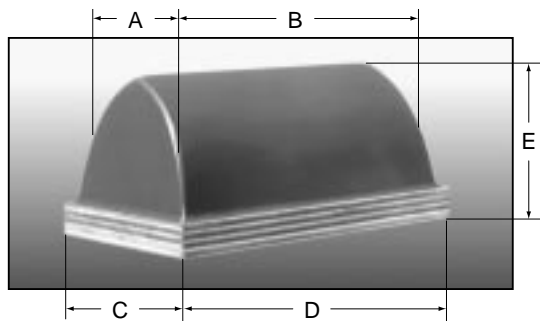
Part No.	A	B	C	D	E
SP-546	0.650	2.025	0.816	2.494	1.907
SP-528	0.920	2.700	2.675	3.030	2.195
SP-074	0.940	1.300	1.160	1.825	1.640
SP-198	0.972	2.710	1.378	3.165	2.255
SP-608	1.062	2.075	1.395	2.343	2.415
SP-154	1.000	1.000	1.275	1.275	1.720
SP-104	1.510	3.215	2.112	3.580	2.840
SP-456	1.100	3.000	1.510	3.450	3.375
I-17	1.360	2.585	1.650	3.125	2.075
DP-2	1.820	3.790	2.205	4.200	2.860
SP-223	1.335	2.700	1.900	3.169	2.070
IRRS-035	1.930	3.975	2.250	4.325	2.705
I-46	1.875	2.250	2.100	2.550	2.380
SP-211	1.655	6.035	2.210	6.650	3.245
SP-232	1.600	2.325	2.215	2.815	2.720
IRRS-015	1.850	2.325	2.325	2.865	2.025
IRRS-025	1.865	2.780	2.450	3.480	2.500
SP-137	2.785	3.730	2.015	3.120	2.940
SP-389	3.285	6.025	4.423	6.808	3.625
SP-453	3.110	3.110	3.850	3.850	2.905
SP-454	4.050	6.063	5.018	6.875	3.180
SP-388	3.375	6.185	4.375	7.045	3.375
SP-645	4.635	9.130	3.750	7.930	4.490
SP-290	4.835	5.050	5.675	5.850	3.625



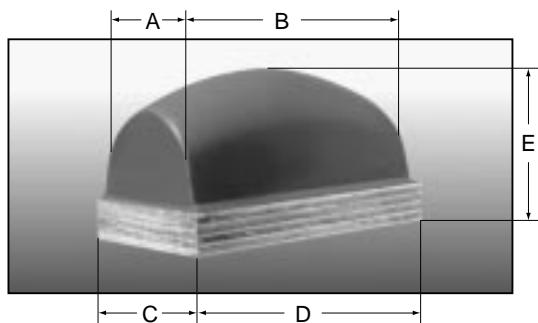
Part No.	A	B	C	D	E
SP-567	1.400	3.025	2.115	3.650	1.700
SP-582	0.930	4.075	1.435	4.630	1.675
SP-632	1.140	13.060	1.360	14.340	1.695
SP-634	1.180	15.920	1.405	16.690	1.700
SP-597	1.150	8.000	1.450	8.275	1.695
SP-593	1.200	11.420	1.400	11.930	1.710



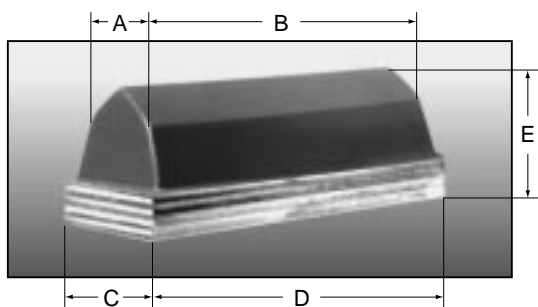
Part No.	A	B	C	D	E
SP-126	2.25	6.80	2.88	7.93	2.72
SP-098	1.50	3.78	2.10	4.78	2.50
SP-087	3.70	8.22	4.83	9.40	3.73
SP-243	2.95	5.70	3.50	6.35	2.80
SP-124	2.28	3.82	2.81	4.85	2.60
SP-153	1.02	5.06	1.93	5.90	2.44
SP-125	2.25	5.30	2.80	6.34	2.64
SP-207	1.05	4.08	1.88	5.00	2.48
SP-125	2.25	5.30	2.80	6.34	2.64



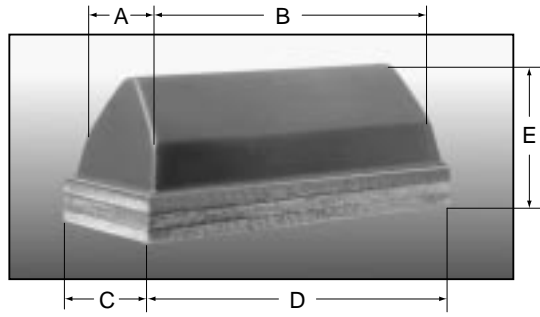
Part No.	A	B	C	D	E
SP-618	1.250	4.380	1.875	4.875	1.930
SP-560	1.500	4.565	2.820	5.250	2.410



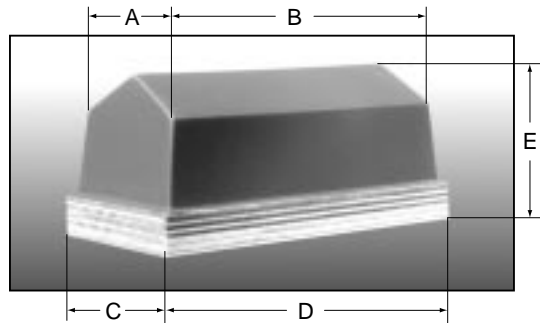
Part No.	A	B	C	D	E
SP-244	1.20	5.05	1.87	5.88	2.37
SP-393	1.46	5.44	2.13	6.05	2.60
SP-077	1.45	4.27	2.10	5.04	2.10
SP-244	1.20	5.05	1.87	5.88	2.37
SP-151	1.27	2.08	1.90	2.40	2.10
SP-462	1.25	1.68	1.93	2.08	1.90
SP-492	0.80	0.80	1.16	1.16	1.64



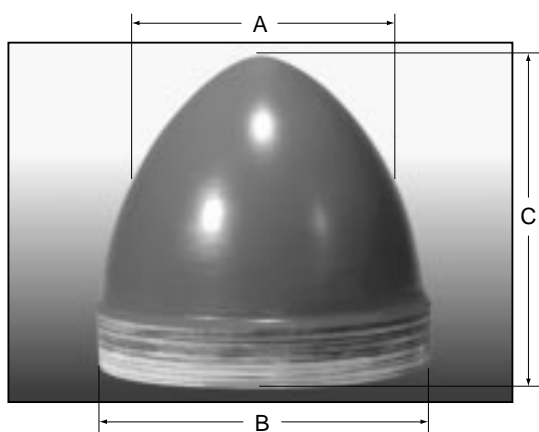
Part No.	A	B	C	D	E
SP-086	0.850	7.050	1.585	7.760	1.500
SP-091	0.885	8.535	1.575	9.300	1.465
MT-4	0.875	9.450	1.615	10.130	1.560
SP-469	0.835	6.050	1.610	6.740	1.540
SP-464	1.250	7.485	1.750	10.175	1.625
SP-422	0.785	11.350	1.250	12.035	1.515
SP-519	0.830	9.470	1.615	10.205	1.495
SP-248	0.915	5.050	1.450	5.525	1.475
MT-5	1.260	3.560	1.665	4.185	1.615
MT-21	1.100	4.040	1.660	4.425	1.550
SP-559	1.020	1.885	2.110	2.300	1.900
SP-401	1.030	2.020	1.675	2.630	1.615
SP-338	0.900	4.000	1.500	4.650	1.520
SP-337	0.880	3.100	1.500	3.600	1.510
SP-467	0.835	8.020	1.580	9.225	1.470
SP-466	0.850	7.770	1.580	9.130	1.450
SP-548	2.230	8.490	2.850	10.825	2.925
SP-368	1.320	5.075	2.275	8.055	2.390
SP-344	0.950	8.565	1.500	10.900	1.540
MT-105	1.000	6.425	1.370	7.000	1.670
MT-1	0.990	10.600	1.600	11.200	1.510
SP-512	0.820	5.010	1.260	5.580	1.510
SP-631	1.000	12.910	1.230	13.900	1.490



Part No.	A	B	C	D	E
SP-365	2.35	10.12	3.25	10.90	3.18
SP-112	2.30	7.40	3.20	8.33	3.01

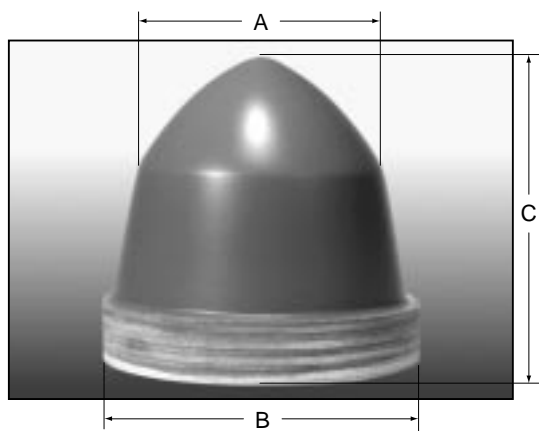


Part No.	A	B	C	D	E
SP-187	0.865	7.950	1.000	8.500	1.385
SP-510	2.510	3.335	3.000	3.880	2.305
SP-639	2.220	14.135	2.620	14.875	2.500
SP-659	2.175	16.470	2.635	17.350	2.460
SP-483	2.250	13.065	2.835	14.120	2.480
SP-592	1.600	8.060	1.875	8.500	2.365
MT-055	1.440	4.720	2.000	5.430	1.845
SP-515	2.330	12.000	2.950	14.300	2.855
SP-533	2.275	7.600	2.550	10.110	2.540
SP-254	2.240	5.730	2.440	8.140	2.420
SP-242	0.775	3.000	1.725	3.675	1.925
SP-428	1.290	3.560	2.360	4.335	2.365
SP-523	0.350	2.030	2.040	2.960	2.150
SP-463	1.275	4.730	2.400	5.510	2.410
SP-354	1.050	4.770	3.630	5.515	2.980
SP-261	1.630	3.885	1.850	4.400	1.950
SP-073	2.030	4.785	2.900	5.500	2.950
MT-19	3.085	7.450	3.520	8.075	2.395
SP-378	1.870	3.885	2.280	4.410	1.915
SP-421	0.790	1.385	1.010	1.700	1.400
SP-499	1.140	1.535	1.180	1.535	1.655
SP-292	2.775	3.100	3.500	4.000	2.810
SP-113	2.810	7.270	3.500	8.230	2.790
SP-110	3.675	3.785	5.150	4.835	3.275
SP-205	3.797	7.450	4.520	8.500	3.515

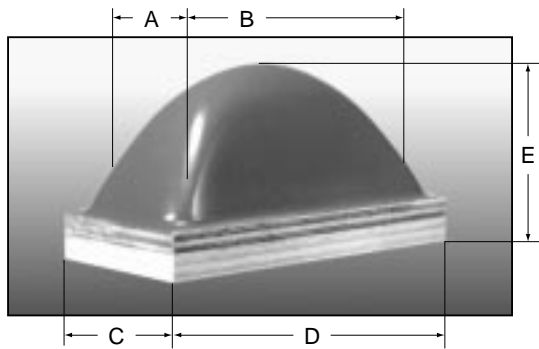


A is recommended print area.

Part No.	A	B	C
SP-120	0.75	1.30	1.49
IRH-015	1.40	2.75	2.51
SP-145	1.75	2.93	2.63
SP-574	2.50	4.10	2.87
SP-057	2.50	4.39	3.65
SP-568	3.00	7.25	4.93

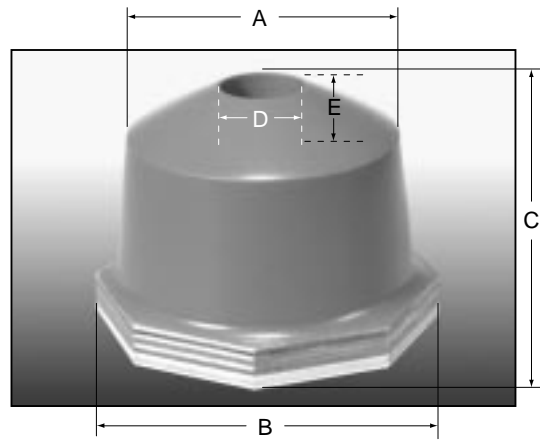


Part No.	A	B	C
SP-617	0.90	1.37	1.88
SP-663	1.39	1.89	2.30
IRH-010	1.44	1.82	2.04
SP-662	1.82	2.20	2.40
SP-078	1.93	2.57	2.40
IRH-020	2.28	2.75	2.53
IRH-040	3.64	4.36	3.97
SP-609	5.57	6.93	5.23



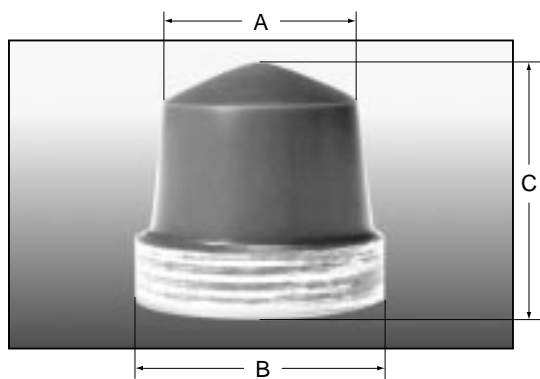
A & B represents recommended print area.

Part No.	A	B	C	D	E
SP-227	0.52	1.25	1.50	1.80	1.86
SP-132	0.52	1.25	1.50	1.80	1.88
FG-2	0.75	2.00	1.93	3.33	2.12
SP-681	0.75	3.25	1.96	4.87	2.44
SP-174	0.75	2.25	1.87	3.25	2.04
FG-3	0.80	2.25	1.93	4.06	2.04
SP-175	0.80	2.00	1.80	4.06	2.04
SP-081	1.00	3.00	2.09	5.04	2.45



D is Diameter.
E is Depth.

Part No.	A	B	C	D	E
SP-511	1.40	1.79	2.35	0.50	0.59
SP-157	1.43	1.84	1.68	0.42	0.34
SP-159	2.49	2.98	2.37	0.96	0.69
SP-180	2.59	2.95	2.14	0.66	0.50
SP-603	2.91	3.75	2.64	0.86	0.71
SP-394	3.10	3.89	2.57	1.65	1.20
SP-056	4.22	4.80	2.57	2.05	1.34
SP-257	4.52	5.25	3.55	1.75	1.20
SP-530	5.25	6.17	3.85	2.16	0.82



Part No.	A	B	C
IRS-001	0.77	1.37	1.51
SP-435	1.01	1.17	1.49
IRS-005	1.13	1.51	1.52
SP-436	1.14	1.30	1.65
IRS-006	1.20	1.51	1.57
SP-437	1.24	1.33	1.69
IRS-010	1.29	1.63	1.69
SP-438	1.37	1.47	1.69
IRS-015	1.43	1.87	1.76
SP-446	1.52	1.94	2.01
SP-439	1.55	1.44	1.75
SP-146	1.55	1.95	1.71
SP-067	1.58	1.85	1.83
SP-441	1.67	1.77	1.73
IRS-020	1.92	2.26	2.20
SP-443	1.97	2.14	2.13
SP-444	2.12	2.25	2.07
IRS-025	2.29	2.75	2.10
IRS-030	2.57	3.11	2.06
SP-445	2.65	2.78	2.43
SP-179	2.68	3.91	2.34
SP-431	2.77	3.50	2.32
IRS-035	2.97	3.39	2.47
IRS-036	3.02	3.64	2.47
IRS-040	3.29	3.68	2.93
SP-644	3.87	4.27	3.50
IRS-045	3.93	4.31	2.87
IRS-050	4.52	4.98	2.88
IRS-055	4.75	5.40	3.14
IRS-060	5.48	6.42	3.91
IRS-070	6.84	8.00	4.99
SP-652	7.00	7.60	4.65